

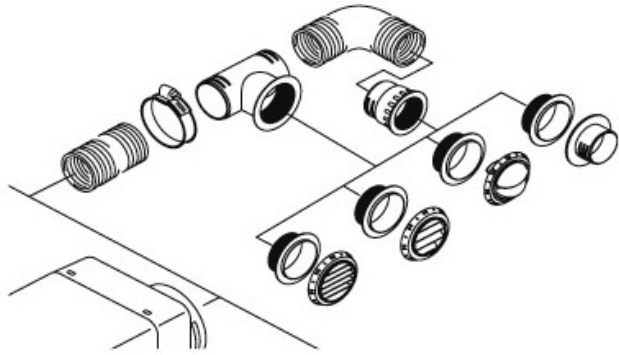
Hot air system

Advantages and features

Webasto offers a wide range of components for air distribution with high flexibility to fit any application.

The advantages:

- Full range of mounting parts needed for any application
- Multiple combination possibilities to suit any application
- Coloured air outlets, black, white, grey and brown fitting to any interior
- Fast and easy installation, also in small spaces
- High temperature resistance from -40°C up to +140°C with PA6.6 GF30 glass fibre reinforced synthetic material



Webasto is not liable for applications made with non-Webasto air ducting parts, especially for parts not guaranteeing high temperature resistance.

To ensure correct application with the correct air distribution system, it is important to have a continuous main line with openings that cannot be closed. The sum of the resistance points of the main line must not exceed the maximum number of resistance points for each air heater model. Lines branching off from the main line are not taken into account.

Consequently, the branches can also be designed with closable outlets. In the following table, several air ducting parts are listed. Exceeding the number of points (excessive air resistance of the heating air system) is detected by the heater after starting. For safety reasons, continuous heating operation is then no longer possible and the heater switches to control pause.

		Air Top 2000 STC: max. 325 resistance points			Air Top Evo 40: max. 550 resistance points Air Top Evo 55: max. 375 resistance points		
		55 / 60 mm inlet			80 / 90 mm inlet		
		Dim. in mm	Points	Id.	Dim. in mm	Points	Id.
Intake grill/ grille		60	24	1320163A	90	65	1310581A
Flexible tubing per meter		55	30	various	80	27	various
		60	27	various	90	25	various
Additional points for elbow in flexible tube		55	10	various	80	7	various
		60	8	various	90	6	various
Air ducting silencer		-	-	-	90	24	1321734A
		-	-	-	90	16	1320996A
Reducing adapter air intake		-	-	-	90 > 80	45	1320186A
Reducing adapter		60 > 55	27	1320127A	80 > 55	223	1319477A
		-	-	-	90 > 60	211	1320760A
		-	-	-	90 > 80	45	1320185A
		-	-	-	90 > 80	45	1320925A
Hose connector		55	12	1319473A	80	5	1319476A
		60	10	1320469A	90	5	1319869A

Hot air system

Air flow resistance calculation

			Air Top 2000 STC: max. 325 resistance points			Air Top Evo 40: max. 550 resistance points Air Top Evo 55: max. 375 resistance points		
			55 / 60 mm inlet			80 / 90 mm inlet		
			Dim. in mm	Points	Id.	Dim. in mm	Points	Id.
Elbow for air outlet			-	-	-	60	35	1320124A
Elbow			-	-	-	80	50	1319272A
			-	-	-	90	77	1320706A
Branch			55/55/55	10	1321019A	80/55/80	8	1319479A
			60/60/60	9	1320472A	80/80/80	9	1319315A
			-	-	-	90/60/90	8	1320707A
			-	-	-	90/60/90	8	1321034A
Branch			55/55/55	22	1321019A	80/55/80	230	1319479A
			60/60/60	21	1320472A	80/80/80	50	1319315A
			-	-	-	90/60/90	228	1320707A
			-	-	-	90/60/90	228	1321034A
Y-piece			60/60/60	20	1320814A	80/55/55	230	1320753A
			-	-	-	80/60/60	201	1320471A
			-	-	-	80/80/80	50	1320375A
			-	-	-	90/90/90	42	1320470A
T-piece			60/60/60	13	1320474A	90/90/90	13	1320473A
T-piece			60/60/60	63	1320474A	90/90/90	61	1320473A
Distributor with control valve			55/55/55	19	1319224A	80/80/80	21	1319214A
			60/60/60	20	1320352A	90/90/90	21	1320926A
Distributor Y-piece			55/55/55	21	1319416A	80/80/80	50	1319212A

Hot air system

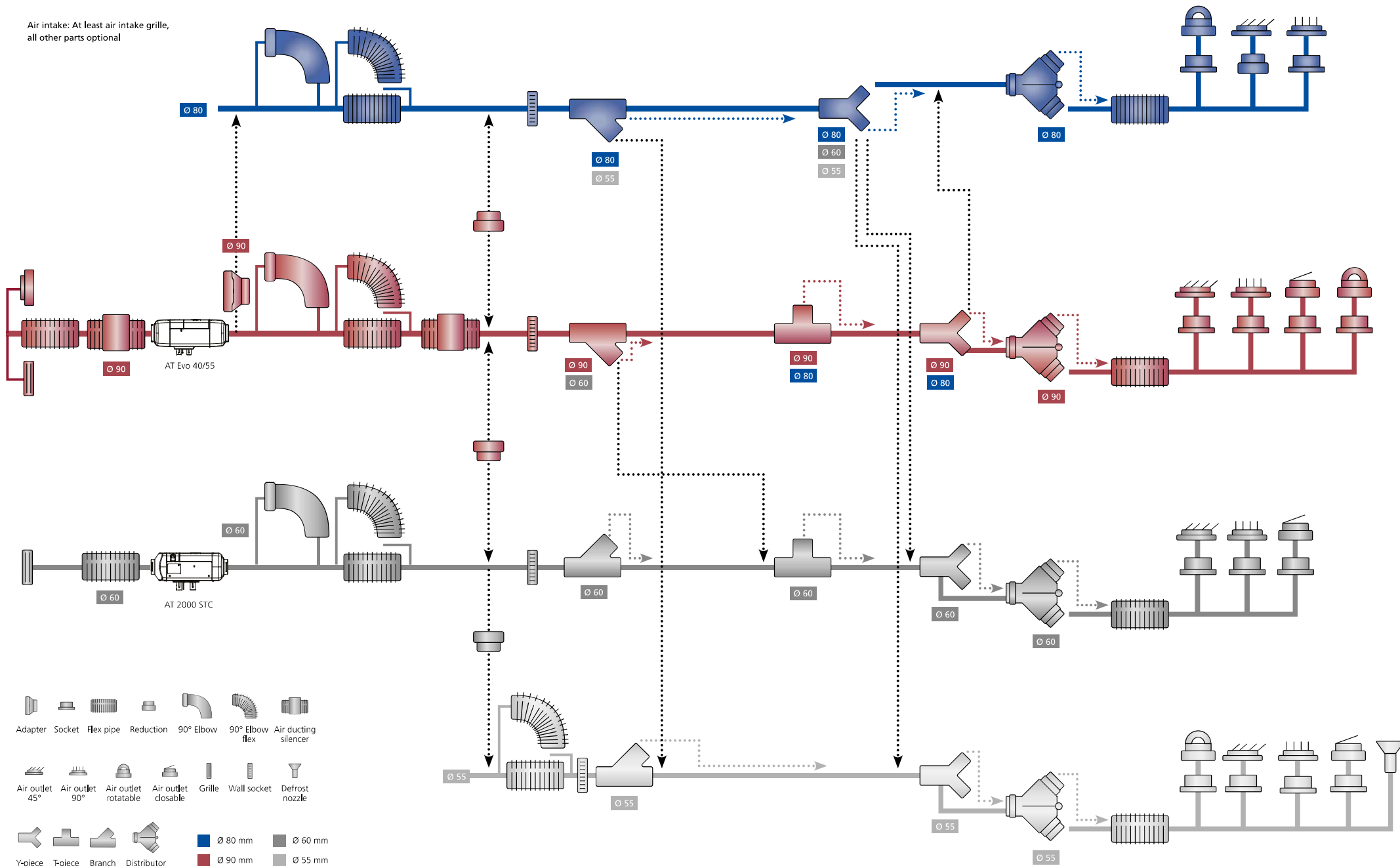
Air flow resistance calculation

			Air Top 2000 STC: max. 325 resistance points			Air Top Evo 40: max. 550 resistance points Air Top Evo 55: max. 375 resistance points		
			55 / 60 mm inlet			80 / 90 mm inlet		
			Dim. in mm	Points	Id.	Dim. in mm	Points	Id.
Threaded T-piece			60/60/60	8	1320476A	90/60/90	11	1320475A
Threaded T-piece			60/60/60	36	1320476A	90/60/90	254	1320475A
Rotatable air outlet			Ø 60/black	24	1322405A	-	-	-
Closeable air outlet			Ø 55/black	64	1320812A	-	-	-
			Ø 60/ black	59	1320206A	-	-	-
			Ø 60/white	59	1320207A	Ø 90/white	50	1320713A
			Ø 60/grey	59	1320937A	Ø 90/black	50	1320355A
			Ø 60/brown	59	1320208A	Ø 90/grey	50	1320714A
Outlet 45°			Ø 55/45°/black	142	107836	Ø 80/45°/black	136	107984
			Ø 60/45°/black	139	1320204A	Ø 90/45°/black/pivoted	134	1320956A
			Ø 60/45°/white	139	1320205A	Ø 90/45°/black	134	1320709A
			Ø 60/45°/grey	139	1320933A	Ø 90/45°/white	134	1320710A
			Ø 60/45°/brown	139	1320761A	Ø 90/45°/grey	134	1320354A
			Ø 55/90°/black	37	101625	-	-	-
Outlet 90°			Ø 60/90°/black	35	1320934A	Ø 80/90°/black	35	1322710A
			Ø 60/90°/white	35	1320935A	Ø 90/90°/black	33	1320932A
			Ø 60/90°/grey	35	1320936A	Ø 90/90°/grey	33	1320712A
			Ø 60/90°/brown	35	1320762A	Ø 90/90°/white	33	1320711A
			Ø 55/90°/black	37	101625	-	-	-
Wall socket			55	10	1319417A	80	11	1319471A
			55	10	1320063A	90	12	1320924A
			60	10	1320923A	-	-	-
Wall socket with air outlet			60	24	1322634A	-	-	-
Air intake grille			60	139	1319269A	80	137	1319269A
			-	-	-	90	134	1319269A



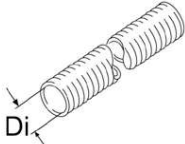
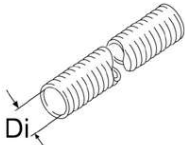
Air ducting combination possibilities:

Air ducting: At least flex pipe & air outlet, all other parts optional.


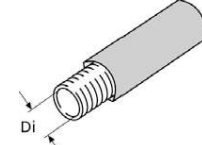
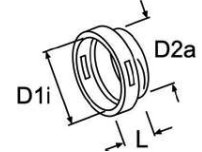
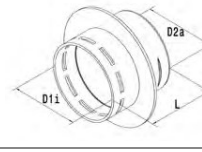
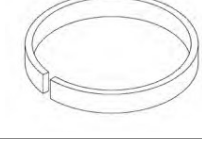
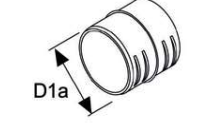
Air intake: At least air intake grille, all other parts optional




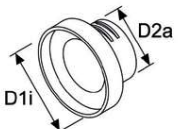
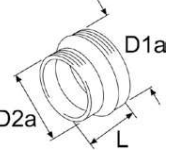
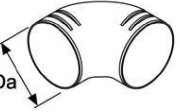

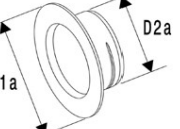
Hot air system

		Air Top 2000 STC	Air Top Evo 40/55	Order number
	Flexible pipe, 55 mm, suitable only with adapter			
	Di = 55			
	L = 2,000, APK, black	■	■	1315889A
	L = 2,000, PAKP, grey	■	■	1321580B
	L = 10,000, APK, black	■	■	1322082A
	L = 10,000, PAK	■	■	1321701B
	L = 25,000, APK, black	■	■	1311891C
	L = 25,000, PAKP, grey	■	■	1311896C
	Flexible pipe, 60 mm, suitable for Air Top 2000 STC, for other heaters with adapter			
	Di = 60			
	L = 2000, APK, black	■	■	1321574B
	L = 2000, PAKP, grey	■	■	1321504A
	L = 5000, APK, black	■	■	1321575C
	L = 10000, APK, black	■	■	1322083C
	L = 10000, PAK, black	■	■	1321692B
	L = 10000, PAKP, grey	■	■	1321727C
	L = 20000, PAK, black	■	■	1321697B
	L = 25000, APK, black	■	■	1311892C
	L = 25000, PAKP, grey	■	■	1311898C
	Flexible pipe, 80 mm, suitable only with adapter			
	Di = 80			
	L = 1,000, AA, grey	■	■	1321531A
	L = 2,000, APK, black	■	■	1321576C
	L = 2,000, PAKP, grey	■	■	1321582B
	L = 5,000, APK, black	■	■	1321577B
	L = 10,000, AA, grey	■	■	1321533A
	L = 10,000, APK, black	■	■	1321718C
	L = 10,000, PAK	■	■	1322147B
	L = 10,000, PAKP, grey	■	■	1321729B
	L = 25,000, APK, black	■	■	1311893C
L = 25,000, PAKP, grey	■	■	1311900C	
	Flexible pipe, 90 mm, suitable for Air Top Evo 40/55, for other heaters with adapter			
	Di = 90			
	L = 2,000, APK, black	■	■	1321578C
	L = 2,000, PAKP, grey	■	■	1321506B
	L = 5,000, APK, black	■	■	1321579C
	L = 5,000, PAKP, grey	■	■	1321508A
	L = 10,000, APK, black	■	■	1321719C
	L = 10,000, PAKP, grey	■	■	1321731C
L = 25,000, APK, black	■	■	1311894C	
L = 25,000, PAKP, grey	■	■	1311902C	

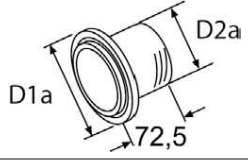
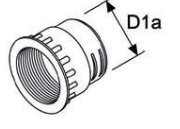
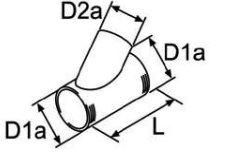

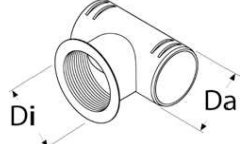
Hot air system

		Air Top 2000 STC	Air Top Evo 40/55	Order number
	Elbow			
	Di = 80.5, Da = 79, L = 115, steel, corrosion-resistant, 90°	■	■	1319272A
	Insulated hose			
	L = 12,000, PAK			
	Di = 80	■	■	1321515A
	Di = 90	■	■	1321517A
	Adapter for heater connection			
	D1i = 90, D2a = 80, L = 40, plastic		■	1320186A
	Adapter for heater connection			
	D1i = 60, D2a = 75, L = 40, plastic	■		1321005A
	Adapter ring			
	Di = 55, Da = 60, aluminium	■	■	1320224A
	Double fitting			
	plastic, for connecting flexible pipes, black			
	D1a = 55, L = 55	■	■	1319473A
	D1a = 60, L = 51	■	■	1320469A
	D1a = 80, L = 75	■	■	1319476A
D1a = 90, L = 51	■	■	1319869A	

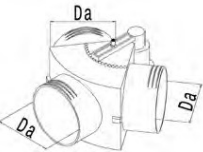
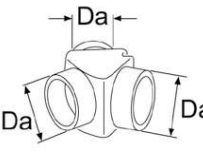
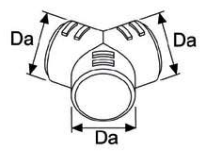
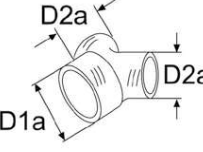
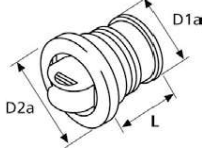
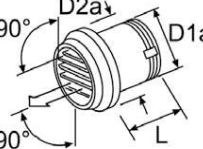
Hot air system

		Air Top 2000 STC	Air Top Evo 40/55	Order number
	End cap			
	plastic, black			
	Da = 60	■	■	1320477A
	Da = 90	■	■	1319870A
	Extension adapter			
	D1i = 90, for connecting flexible pipes, in connection with union nut 1320468A, plastic, black			
	D2a = 60, L = 59	■	■	1320760A
	D2a = 80, L = 50	■	■	1320925A
	Reduction adapter			
	plastic, for connecting flexible pipes, black			
	D1a = 60, D2a = 55, L = 35	■	■	1320127A
	D1a = 80, D2a = 55, L = 82	■	■	1319477A
	D1a = 90, D2a = 80, L = 45	■	■	1320185A
	Elbow			
	Da = 90, plastic, black	■	■	1320706A
	Hot air elbow 90° for heater connection			
	Di = 60, Da = 60, plastic, black	■	■	1320124A
	Wall feed-through			
	plastic, black			
	D1a = 85, D2a = 55	■	■	1319417A
	D1a = 90, D2a = 60	■	■	1320923A
	D1a = 120, D2a = 90	■	■	1320924A




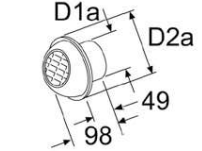
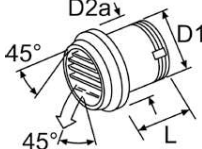
Hot air system

		Air Top 2000 STC	Air Top Evo 40/55	Order number
	Adapter wall socket			
	L = 72.5, plastic, black			
	D1a = 90, D2a = 55	■	■	1320063A
	D1a = 110, D2a = 80, can be combined with wall feed-through	■	■	1319471A
	Union nut			
	L = 60, plastic, black			
	D1a = 60, in combination with 60 mm air outlet	■	■	1320922A
	D1a = 90, in combination with 90 mm air outlet	■	■	1320468A
	Junction fitting			
	45°			
	D1a = 55, D2a = 55, L = 137, plastic, black	■	■	1321019A
	D1a = 60, D2a = 60, L = 145, plastic, black	■	■	1320472A
	D1a = 60, D2a = 60, L = 146, plastic, black	■	■	1319812A
	D1a = 80, D2a = 55, L = 151, plastic, black	■	■	1319479A
	D1a = 80, D2a = 80, L = 186, plastic, black	■	■	1319478A
	D1a = 80, D2a = 80, L = 370, steel, corrosion-resistant	■	■	1319315A
	D1a = 90, D2a = 60, L = 146, plastic, black	■	■	1320707A
	D1a = 90, D2a = 60, L = 185, plastic, black	■	■	1321034A
		T-piece		
L = 110, plastic, black				
Da = 60		■	■	1320474A
	Da = 90	■	■	1320473A
	T-piece			
	Di = 60, black			
	Da = 60, L = 100, plastic, in combination with 60 mm air outlet, with thread	■	■	1320476A
	Da = 90, L = 140, plastic, in combination with 60 mm air outlet, with thread	■	■	1320475A

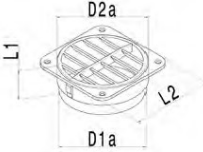
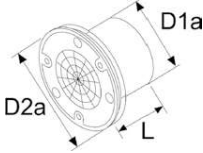
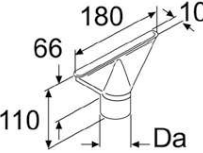


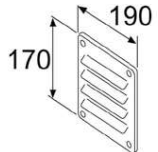
Hot air system

		Air Top 2000 STC	Air Top Evo 40/55	Order number
	Distributor Y-unit			
	plastic, black			
	Da = 55, with remote control flap valve	■	■	1319224A
	Da = 60	■	■	1320352A
	Da = 80, with remote control flap valve	■	■	1319214A
Da = 90	■	■	1320926A	
	Distributor Y-unit			
	plastic, black			
	Da = 55	■	■	1319416A
Da = 80	■	■	1319212A	
	Distributor Y-unit			
	plastic, black			
	Da = 60	■	■	1320814A
Da = 90	■	■	1320470A	
	Air outlet 45° rotatable			
	plastic, black			
	D1a = 80, D2a = 55	■	■	1320753A
	D1a = 80, D2a = 60	■	■	1320471A
D1a = 90, D2a = 80	■	■	1320375A	
	Air outlet			
	D2a = 100, L = 63, black, plastic, lockable, with wall feed through, use for secondary flow only			
	D1a = 55	■	■	1320812A
D1a = 70	■	■	1319946A	
	Air outlet			
	L = 65, plastic, insert grid, straight, rotating, 90°, black			
	D1a = 55, D2a = 87	■	■	101625
D1a = 80, D2a = 110	■	■	1322710A	

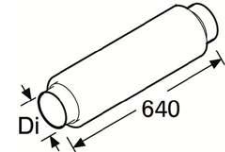
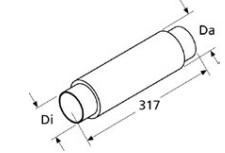

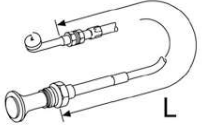
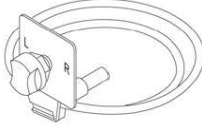
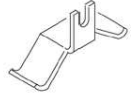
Hot air system

		Air Top 2000 STC	Air Top Evo 40/55	Order number
	Air outlet			
	plastic, through flow with bushing, 45°			
	D1a = 60, D2a = 85, L = 31.5, black	■	■	1320204A
	D1a = 60, D2a = 85, white	■	■	1320205A
	D1a = 60, D2a = 85, brown	■	■	1320761A
	D1a = 60, D2a = 85, grey	■	■	1320933A
	D1a = 90, D2a = 115, grey	■	■	1320354A
	D1a = 90, D2a = 115, black	■	■	1320709A
D1a = 90, D2a = 115, white	■	■	1320710A	
	Air outlet			
	lockable, with wall feed through			
	D1a = 60, D2a = 85, black, plastic	■	■	1320206A
	D1a = 60, D2a = 85, white, plastic	■	■	1320207A
	D1a = 60, D2a = 85, brown	■	■	1320208A
	D1a = 60, D2a = 85, grey, plastic	■	■	1320937A
	D1a = 90, D2a = 115, black, plastic	■	■	1320355A
D1a = 90, D2a = 115, white, plastic	■	■	1320713A	
D1a = 90, D2a = 115, grey, plastic	■	■	1320714A	
	Air outlet			
	plastic, 90°, with wall feed through			
	D1a = 60, D2a = 85, black	■	■	1320934A
	D1a = 60, D2a = 85, white	■	■	1320935A
	D1a = 60, D2a = 85, grey	■	■	1320936A
	D1a = 90, D2a = 115, white	■	■	1320711A
	D1a = 90, D2a = 115, grey	■	■	1320712A
	D1a = 60, D2a = 85, brown	■	■	1320762A
D1a = 90, D2a = 115, black	■	■	1320932A	
	Air outlet			
	D1a = 60, D2a = 92, black, plastic, rotatable, with ball-shape outlet, black	■	■	1322405A
	Air outlet			
	L = 65, plastic, rotatable, black			
	D1a = 55, D2a = 90, 45°	■	■	107836
D1a = 80, D2a = 110	■	■	107984	

Hot air system

		Air Top 2000 STC	Air Top Evo 40/55	Order number
	Air outlet D1a = 90, D2a = 120, L1 = 65, L2 = 108, drilling diameter = 95 mm, plastic, through flow with bushing, 45°, black	■	■	1320956A
	Air outlet D1a = 60, D2a = 97, L = 50, plastic, axiale flow, with wall feed through, black	■	■	1322634A
	Demist nozzle Da = 55, steel, corrosion-resistant	■	■	1319470A
	Protective screen for intake and outlet openings of heater, plastic, black Di = 60 Di = 90	■	■	1320163A 1310581A
	Protective screen Di = 60, for flex tube intake, rubber	■		1320173A
	Louvre plate L = 190, H = 170, aluminium, for air intake only	■	■	1319269A

Hot air system

		Air Top 2000 STC	Air Top Evo 40/55	Order number
	Air ducting silencer Di = 90, L = 640, aluminium/plastic	■	■	1321734A
	Air ducting silencer Di = 90, Da = 122, L = 317, plastic, black	■	■	1320996A
	Console 10 pieces	■	■	1321044A
	Control cable with grip and outer sleeve, for Y-pieces L = 850 L = 1,500	■	■	1320785A 1320786A
	Control device for distributor L = 2,000, for Y-pieces, with control butterfly valve	■	■	1319868A
	Clamp For bowden cable 1320785A and 1320786A	■	■	1319688A

Please refer to our separate heating product catalog for our full range of accessories (see also page 9).