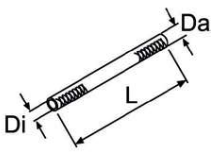
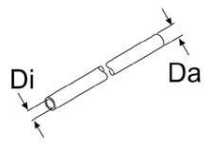
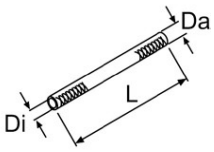
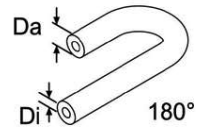
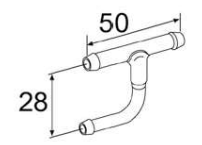


## Fuel system

		Air Top 2000 STC	Air Top Evo 40/55	Thermo Top Evo	Thermo Pro 90	Order number
	Fuel hose Di = 4.5, Da = 9, L = 5,000, DBL 6256.10	■	■	■	■	1321500A
	Fuel hose Di = 2, Da = 5, L = 100,000, PA 12, for RVM diesel applications, transparent	■	■	■	■	9030734A
	Fuel hose Di = 4.5, Da = 10.5, L = 50, PME-resistant, 20 pieces	■	■	■	■	9023450A

## Fuel system

		Air Top 2000 STC	Air Top Evo 40/55	Thermo Top Evo	Thermo Pro 90	Order number
	Molded hose 180° Di = 4.5, Da = 10.5	■	■	■	■	1319686A
	H-shaped fuel extractor L = 50, H = 28, steel, zinc coated, extraction at 90° elbow					
	6 x 5 x 6	■	■	■	■	1319520A
	8 x 5 x 8	■	■	■	■	1320574A
	10 x 5 x 10	■	■	■	■	1320806A

Please refer to our separate heating product catalog for our full range of accessories (see also page 9).