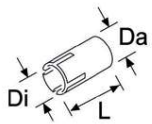
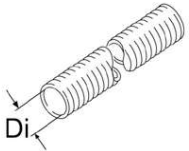
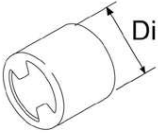
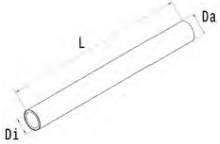
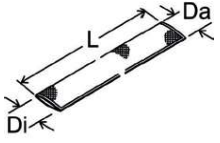
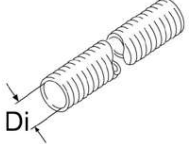
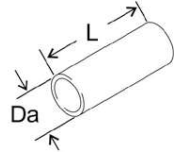
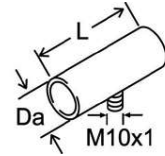
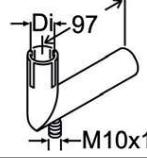
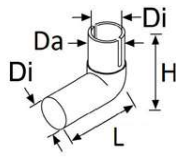

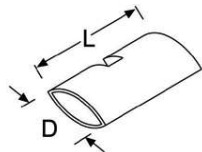


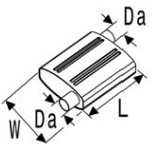
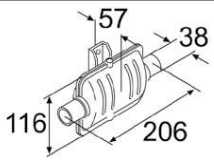
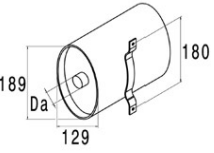
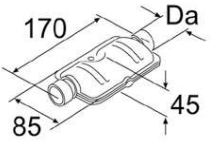
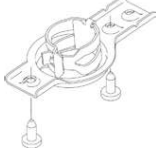

Exhaust system

		Air Top 2000 STC	Air Top Evo 40/55	Thermo Top Evo	Thermo Pro 90	Order number
	Exhaust pipe extension Di = 22, Da = 24, L = 40, stainless steel	■	■			1320382A
	Flexible pipe stainless steel					
	Di = 22, Da = 26, L = 1,000, with end cap	■	■			1322414A
	Di = 24, Da = 28, L = 10,000		■			1321523A
	Di = 38, Da = 41, L = 5,000			■		1321540A
	Di = 38, Da = 41, L = 10,000			■		1321541A
	Di = 38, Da = 41, L = 20,000			■		1321539A
	Protection cap L = 17, stainless steel, for flexible exhaust pipe					
	Di = 26	■	■			1320109A
	Di = 28		■			1320217A
	Di = 38, 10 pieces			■		1321753A
	Heat protection hose fiberglass, with cover, non-flammable, interior resistant to temperatures up to 500°C					
	Di = 28, Da = 38, L = 324	■	■	■		1319670A
	Di = 45, Da = 55, L = 1,000			■		1328352A
	Flexible heat protection hose Di = 70, Da = 120, L = 1850, fiberglass				■	1320830A
	Flexible heat protection hose L = 10,000					
	Di = 28, GA-A	■	■	■		1321601A
	Di = 45, GA2-A			■		1321602C

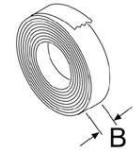
Exhaust system

		Air Top 2000 STC	Air Top Evo 40/55	Thermo Top Evo	Thermo Pro 90	Order number
	Exhaust connecting pipe Da = 24, L = 50, stainless steel		■			1319937A
	Exhaust connecting pipe Da = 38, L = 65, stainless steel, with condensate drain			■		1320959A
	Exhaust elbow Di = 24, Da = 24, L = 97, stainless steel					
	without condensate drain		■			1320383A
	with condensate drain		■			1320378A
	Exhaust elbow without condensate drain					
	Di = 22, Da = 22, L = 65, H = 46, aluminium		■	■		1320117A
	Di = 38, Da = 38, L = 131, H = 100, stainless steel			■		1328762A
	Condensate drain L = 128, M10x1, with mounting parts, copper		■	■	■	92621A
	Insulating sleeve L = 120, W = 108, glass fabric, for exhaust silencers 1320841A, 1320895A and 1320488A		■	■	■	1320848A

Exhaust system

		Air Top 2000 STC	Air Top Evo 40/55	Thermo Top Evo	Thermo Pro 90	Order number
	Exhaust silencer Da = 22, L = 179, W = 45, stainless steel	■	■			1320910A
	Exhaust silencer Da = 38, L = 206, W = 57, steel, surface protection zinc powder paint for temperatures up to 600°C			■		1320840A
	Exhaust silencer Da = 38, L = 270, stainless steel			■		1321397A
	Exhaust silencer L = 170, W = 85, H = 45 Da = 22, stainless steel Da = 22, zinc powder paint surface protection for temperatures up to 650°C, stainless steel Da = 24, steel, zinc powder paint surface protection for temperatures up to 650°C	■	■			1320895A 1320841A 1320372A
	End fixing kit for flexible pipe Di 22 mm	■	■			1317567A
	Spacer ring for exhaust pipe Di = 25, Da = 48, W = 21, for flexible pipe 2 pieces 5 pieces	■	■			1317812A 1317843A

Exhaust system

		Air Top 2000 STC	Air Top Evo 40/55	Thermo Top Evo	Thermo Pro 90	Order number
	Insulating tape L = 50,000, W = 60, white, fibre glass, temperature up to 450°C, 2 mm thick	■	■	■	■	1320357A

Please refer to our separate heating product catalog for our full range of accessories (see also page 9).