

# Water System

## Accessories: Water System

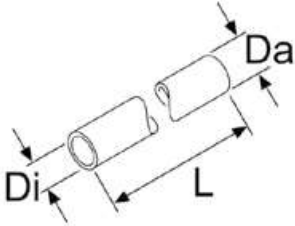
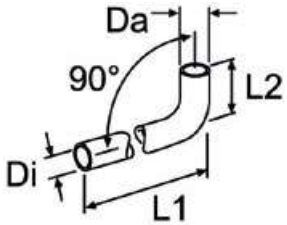
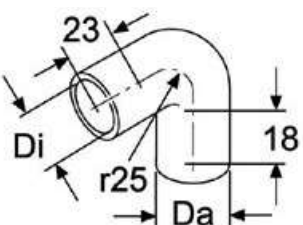
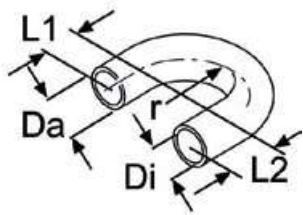
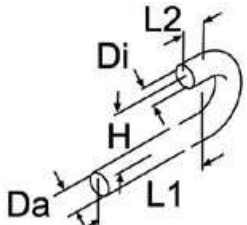


### **Webasto offers a wide range of high-quality Hep<sub>2</sub>O products.**

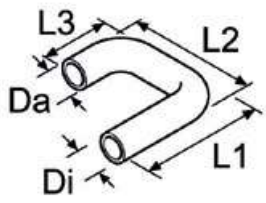
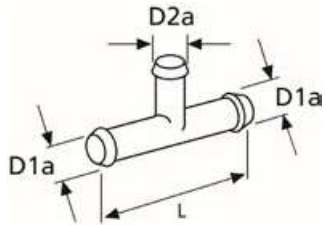
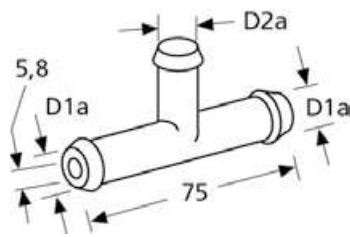
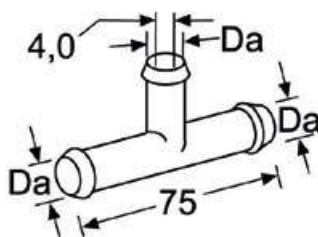
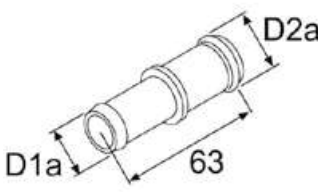
- Cabling ability – Hep<sub>2</sub>O provides faster, safer and more cost effective installation
- Less jointing – Hep<sub>2</sub>O flexible polybutylene pipe system requires less jointing, thus saves time and materials
- Joint security – the Hep<sub>2</sub>O push-fit piping offers reliable jointing and safe assembly
- High resistance to impact and vibration – solder free, and the Hep<sub>2</sub>O system is extremely strong and resistant to denting and accidental damage from impact or vibration
- Corrosion free – Hep<sub>2</sub>O completely eliminates electrolytic corrosion and is highly resistant against aggressive salt-water and other corrosive media

For the complete overview of Hep<sub>2</sub>O parts please refer to the water system section for BlueCool accessories in this catalog.

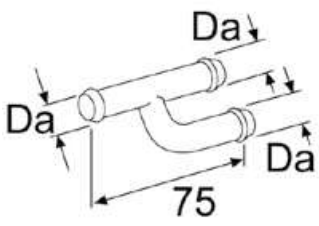
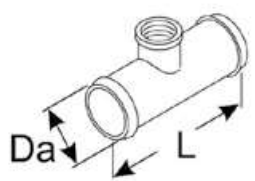
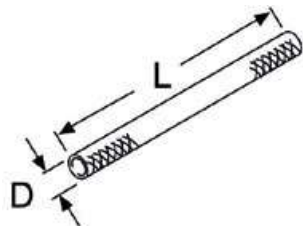
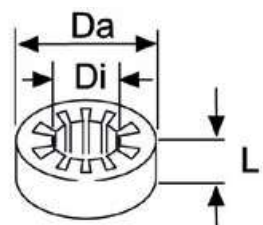
# Water System

		eThermo Top Eco 20 P/30 P	Thermo Top Evo	Thermo Pro 50 Eco	Thermo Pro 90	Thermo Top Pro 120/150	Order number
	<b>Hose</b>						
	EPDM, black						
	Di = 15, Da = 22, L = 2,400	■	■	■	■	■	1320300A
	Di = 18, Da = 27, L = 2,000	■	■	■	■	■	1319379A
	Di = 20, Da = 27, L = 380	■	■	■	■	■	1320960A
	<b>Molded hose 90°</b>						
	Black						
	Di = 15, Da = 22, L1 = 1,020, L2 = 50, 90°	■	■	■	■	■	1320789A
	Di = 18, Da = 25, L1 = 136, L2 = 92, 90°	■	■	■	■	■	1320907A
	Di = 18, Da = 25, L1 = 500, L2 = 47, 90°	■	■	■	■	■	1319953A
	Di = 18, Da = 25, L1 = 1,020, L2 = 50, 90°	■	■	■	■	■	1320794A
	Di = 20, Da = 27, L1 = 70, L2 = 70, 90°	■	■	■	■	■	1319839A
	Di = 20, Da = 27, L1 = 130, L2 = 48, 90°	■	■	■	■	■	1320147A
	Di = 20, Da = 27, L1 = 360, L2 = 20, 90°	■	■	■	■	■	1320961A
Di = 20, Da = 27, L1 = 615, L2 = 56, 90°	■	■	■	■	■	1320197A	
	<b>Molded hose 90°</b>						
	Di = 18, Da = 25, 90°	■	■	■	■	■	1319418A
	<b>Molded hose 180°</b>						
	180°, black						
	Di = 18, Da = 25, L1 = 18, L2 = 18, r = 25 mm	■	■	■	■	■	1319401A
	Di = 20, Da = 27, L1 = 40, L2 = 64, r = 24 mm	■	■	■	■	■	1319623A
	<b>Molded hose 180°</b>						
	L2 = 20, H = 75, 180°						
	Di = 15, Da = 22, L1 = 580	■	■	■	■	■	1320790A
	Di = 18, Da = 25, L1 = 580	■	■	■	■	■	1319421A
	Di = 18, Da = 25, L1 = 1,100	■	■	■	■	■	1322496A

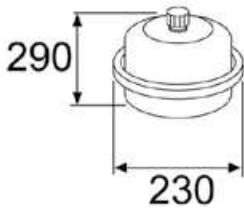
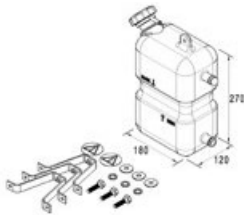
# Water System

	eThermo Top Eco 20 P/30 P	Thermo Top Evo	Thermo Pro 50 Eco	Thermo Pro 90	Thermo Top Pro 120/150	Order number	
	<b>Molded hose 180°</b>						
	180°, black						
	Di = 18, Da = 25, L1 = 110, L2 = 20, H = 54	■	■	■	■	■	1322493A
Di = 20, L1 = 190, L2 = 113	■	■	■	■	■	1322473A	
	<b>T-piece</b>						
	D1a = 18, D2a = 18, L = 75, plastic, black	■	■	■	■	■	1321001A
	D1a = 20, D2a = 20, L = 75, plastic, black	■	■	■	■	■	1327590A
D1a = 20, D2a = 25, L = 100, aluminium				■	■	1328140B	
	<b>T-piece</b>						
	D1a = 20, D2a = 20, L = 75, brass, with restrictor, restrictor diameter 5.8 mm	■	■	■	■	■	1319817A
	<b>T-piece</b>						
	Da = 18, L = 75, brass, with restrictor, restrictor diameter 4 mm	■	■	■	■	■	1319800A
	<b>Connecting pipe</b>						
	L = 63, black						
	D1a = 15, D2a = 20, plastic, 10 pieces	■	■	■	■	■	1321000A
	D1a = 17, D2a = 20, plastic	■	■	■	■	■	1320143A
	D1a = 18, D2a = 18, plastic, 10 pieces	■	■	■	■	■	9006211A
	D1a = 18, D2a = 20, plastic, 10 pieces	■	■	■	■	■	9005819C
	D1a = 18, D2a = 22, plastic	■	■	■	■	■	1320155A
D1a = 20, D2a = 20, plastic	■	■	■	■	■	1320342A	
D1a = 20, D2a = 22, plastic	■	■	■	■	■	1319594A	

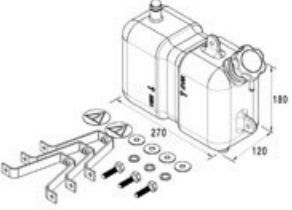
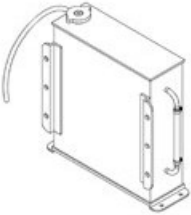
# Water System

	eThermo Top Eco 20 P/30 P	Thermo Top Evo	Thermo Pro 50 Eco	Thermo Pro 90	Thermo Top Pro 120/150	Order number
 <p>Connecting pipe, y-type</p> <p>Da = 18, L = 75, steel, corrosion-resistant</p>	■	■	■	■	■	1319266A
 <p>Connecting pipe with thread</p> <p>Da = 18, L = 100, M22x1.5, steel, corrosion-resistant, for thermostat</p>	■	■	■	■	■	1320792A
 <p>Braided protection hose</p> <p>Di = 24, L = 1,500, polyester, chafing guard for water hoses 22 – 35 mm</p>	■	■	■	■	■	1322409A
 <p>Rubber ring (anti-chafing device)</p> <p>L = 20, not permitted for exhaust systems, elastomer</p> <p>Di = 20.5, Da = 40</p> <p>Di = 25.5, Da = 45</p>	■	■	■	■	■	1312785A
	■	■	■	■	■	1312780A

# Water System

	eThermo Top Eco 20 P/30 P	Thermo Top Evo	Thermo Pro 50 Eco	Thermo Pro 90	Thermo Top Pro 120/150	Order number
 <p>290</p> <p>230</p>	<b>Pressure expansion tank</b>					
8 l, prepressure 0.5 bar, red	■	■	■	■	■	1320545A
 <p>270</p> <p>180</p> <p>120</p>	<b>Header tank vertical</b>					
L = 180, W = 120, H = 270, 5 liter, net content 3 liter, vertical, made of polypropylene for high temperature resistance, tank kit includes 3 stainless steel mounting brackets		■	■	■	■	9024038A

# Water System

	Header tank horizontal	eThermo Top Eco 20 P/30 P	Thermo Top Evo	Thermo Pro 50 Eco	Thermo Pro 90	Thermo Top Pro 120/150	Order number
 <p data-bbox="639 723 1126 786">L = 270, W = 120, H = 180, 5 liter, net content 3 liter, horizontal, made of polypropylene for high temperature resistance, tank kit includes 3 stainless steel mounting brackets</p>			■	■	■	■	9024039A
 <p data-bbox="639 994 828 1016">10 liter, 230 x 230 x 330</p>			■	■	■	■	79289500

Please refer to our separate heating product catalog for our full range of accessories.