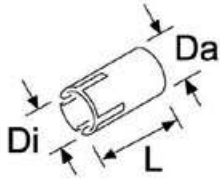


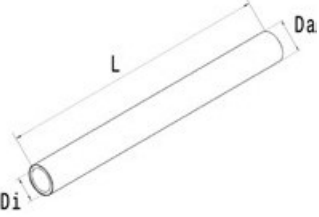
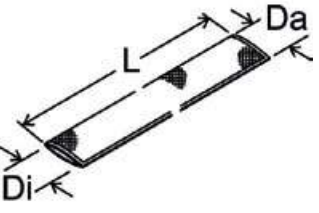
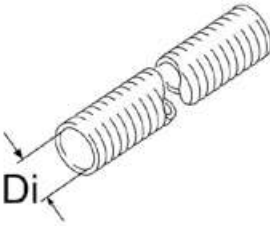
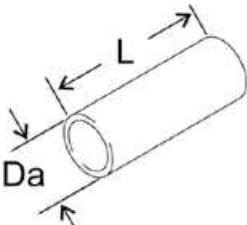
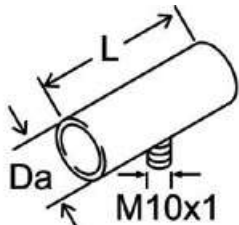
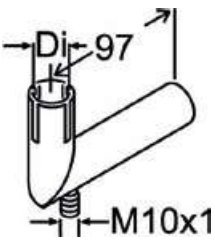
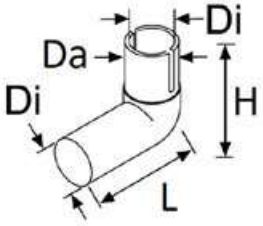


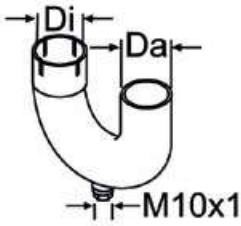



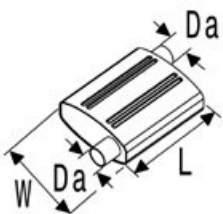
Exhaust System

	Air Top 2000 STC	Air Top Evo 40/55	Thermo Top Evo	Thermo Pro 50 Eco	Thermo Pro 90	Thermo Top Pro 120/150	Order number
 <p>Exhaust pipe extension</p> <p>Di = 22, Da = 24, L = 40, stainless steel</p>	■		■	■			1320382A
 <p>Flexible pipe</p> <p>Stainless steel</p> <p>Di = 22, Da = 26, L = 1,000, with end cap</p> <p>Di = 24, Da = 28, L = 1,000</p> <p>Di = 38, Da = 41, L = 5,000</p> <p>Di = 38, Da = 41, L = 10,000</p> <p>Di = 38, Da = 41, L = 20,000</p>	■		■	■			1322414A 1321523A 1321540A 1321541A 1321539A
 <p>Protective pad</p> <p>Insulation blanket for silencer</p>					■		9028104A
 <p>Heat protection hose</p> <p>Fiberglass, with cover, non-flammable, interior resistant to temperatures up to 500 °C</p> <p>Di = 28, Da = 38, L = 324</p> <p>Di = 45, Da = 55, L = 1,000</p>	■	■	■	■			1319670A 1328352A
 <p>Flexible heat protection hose</p> <p>Di = 70, Da = 120, fiberglass</p> <p>L = 1,250</p> <p>L = 1,700</p> <p>L = 1,850</p>					■	■	9016230B 9016231B 1320830A

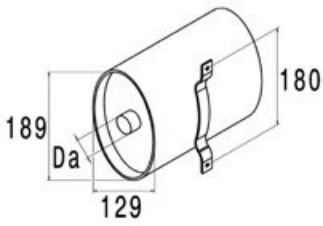
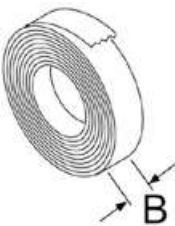
Exhaust System

		Air Top 2000 STC	Air Top Evo 40/55	Thermo Top Evo	Thermo Pro 50 Eco	Thermo Pro 90	Thermo Top Pro 120/150	Order number
	Flexible heat protection hose							
	L = 10,000							
	Di = 28, GA-A	■	■	■	■			1321601A
Di = 45, GA2-A						■	■	1321602C
	Exhaust connecting pipe							
	Da = 24, L = 50, stainless steel		■					1319937A
	Exhaust connecting pipe							
	Da = 38, with condensate drain		■			■	■	1320959A
	Exhaust elbow							
	Di = 24, Da = 24, L = 97, stainless steel							
	Without condensate drain		■					1320383A
With condensate drain		■					1320378A	
	Exhaust elbow							
	Without condensate drain							
	Di = 22, Da = 22, L = 65, H = 46, aluminium	■		■	■			1320117A
Di = 38, Da = 38, L = 131, H = 100, stainless steel						■	■	1328762A

Exhaust System

		Air Top 2000 STC	Air Top Evo 40/55	Thermo Top Evo	Thermo Pro 50 Eco	Thermo Pro 90	Thermo Top Pro 120/150	Order number
	Exhaust elbow Di = 38, Da = 38, 180°, with condensate drain, stainless steel						■	1319380A
	Condensate drain L = 128, M10x1, with mounting parts, copper	■	■	■	■	■	■	92621A
	Exhaust lead through Double walled, bended, stainless steel Da = 24 Da = 38		■			■	■	1320364A 1320365A
	Exhaust lead through Double walled, straight, stainless steel Da = 24 Da = 38		■			■	■	1320363A 1320983A
	Exhaust silencer Di = 24.5, Da = 56, L = 1,800, L1 = 650, L2 = 850 Di = 38, L = 1,000, outside with partial fiberglass insulation		■			■	■	1322001A 1321823A

Exhaust System

	Air Top 2000 STC	Air Top Evo 40/55	Thermo Top Evo	Thermo Pro 50 Eco	Thermo Pro 90	Thermo Top Pro 120/150	Order number
 <p>Exhaust silencer Da = 38, L = 270, stainless steel</p>					■	■	1321397A
 <p>Insulating tape L = 50,000, W = 60, white, fibre glass, temperature up to 450 °C, 2 mm thick</p>	■	■	■	■	■	■	1320357A

Please refer to our separate heating product catalog for our full range of accessories.