

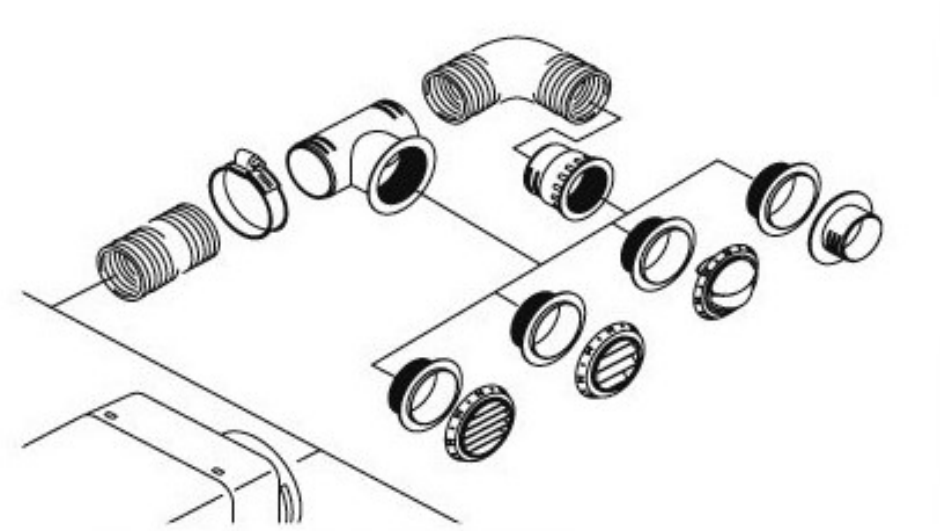
Hot Air System

Advantages and Features

Webasto offers a wide range of components for air distribution with high flexibility to fit any application.

The advantages:

- Full range of mounting parts needed for any application
- Multiple combination possibilities to suit any application
- Coloured air outlets, black, white, grey and brown fitting to any interior
- Fast and easy installation, also in small spaces
- High temperature resistance from -40°C up to +140°C with PA6.6 GF30 glass fibre reinforced synthetic material





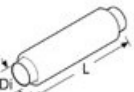


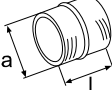
Webasto is not liable for applications made with non-Webasto air ducting parts, especially for parts not guaranteeing high temperature resistance.

Hot Air System

Air Flow Resistance Calculation




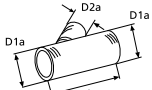


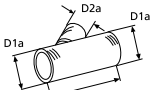


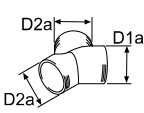


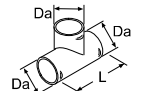


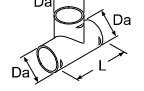

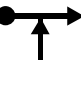






To ensure correct application with the correct air distribution system, it is important to have a continuous main line with openings that cannot be closed. The sum of the resistance points of the main line must not exceed the maximum number of resistance points for each air heater model. Lines branching off from the main line are not taken into account.

Consequently, the branches can also be designed with closable outlets. In the following table, several air ducting parts are listed. Exceeding the number of points (excessive air resistance of the heating air system) is detected by the heater after starting. For safety reasons, continuous heating operation is then no longer possible and the heater switches to control pause.

			Air Top 2000 STC: max. 325 resistance points			Air Top Evo 40: max. 550 resistance points Air Top Evo 55: max. 375 resistance points		
			55/60 mm inlet			80/90 mm inlet		
			Dim. in mm	Points	Id.	Dim. in mm	Points	Id.
Intake grill/ grille 			60	24	1320163A	90	65	1310581A
Flexible tubing per meter 			55	30	various	80	27	various
			60	27	various	90	25	various
Additional points for elbow in flexible tube 			55	10	various	80	7	various
			60	8	various	90	6	various
Air ducting silencer 			-	-	-	90	24	1321734A
			-	-	-	90	16	1320996A
Reducing adapter air intake 						90 > 80	45	1320186A
Reducing adapter 			60 > 55	27	1320127A	80 > 55	223	1319477A
			-	-	-	90 > 60	211	1320760A
			-	-	-	90 > 80	45	1320185A
			-	-	-	90 > 80	45	1320925A
Hose connector 			55	12	1319473A	80	5	1319476A
			60	10	1320469A	90	5	1319869A

Hot Air System

Air Flow Resistance Calculation

			Air Top 2000 STC: max. 325 resistance points			Air Top Evo 40: max. 550 resistance points Air Top Evo 55: max. 375 resistance points		
			55/60 mm inlet			80/90 mm inlet		
			Dim. in mm	Points	Id.	Dim. in mm	Points	Id.
Elbow for air outlet 			-	-	-	60	35	1320124A
Elbow 			-	-	-	80	50	1319272A
			-	-	-	90	77	1320706A
Branch 			55/55/55	10	1321019A	80/55/80	8	1319479A
			60/60/60	9	1320472A	80/80/80	9	1319315A
			-	-	-	90/60/90	8	1320707A
			-	-	-	90/60/90	8	1321034A
Branch 			55/55/55	22	1321019A	80/55/80	230	1319479A
			60/60/60	21	1320472A	80/80/80	50	1319315A
			-	-	-	90/60/90	228	1320707A
			-	-	-	90/60/90	228	1321034A
Y-piece 			60/60/60	20	1320814A	80/55/55	230	1320753A
			-	-	-	80/60/60	201	1320471A
			-	-	-	80/80/80	50	1320375A
			-	-	-	90/90/90	42	1320470A
T-piece 			60/60/60	13	1320474A	90/90/90	13	1320473A
T-piece 			60/60/60	63	1320474A	90/90/90	61	1320473A
Distributor with control valve 			55/55/55	19	1319224A	80/80/80	21	1319214A
			60/60/60	20	1320352A	90/90/90	21	1320926A
Distributor Y-piece 			55/55/55	21	1319416A	80/80/80	50	1319212A

Hot Air System

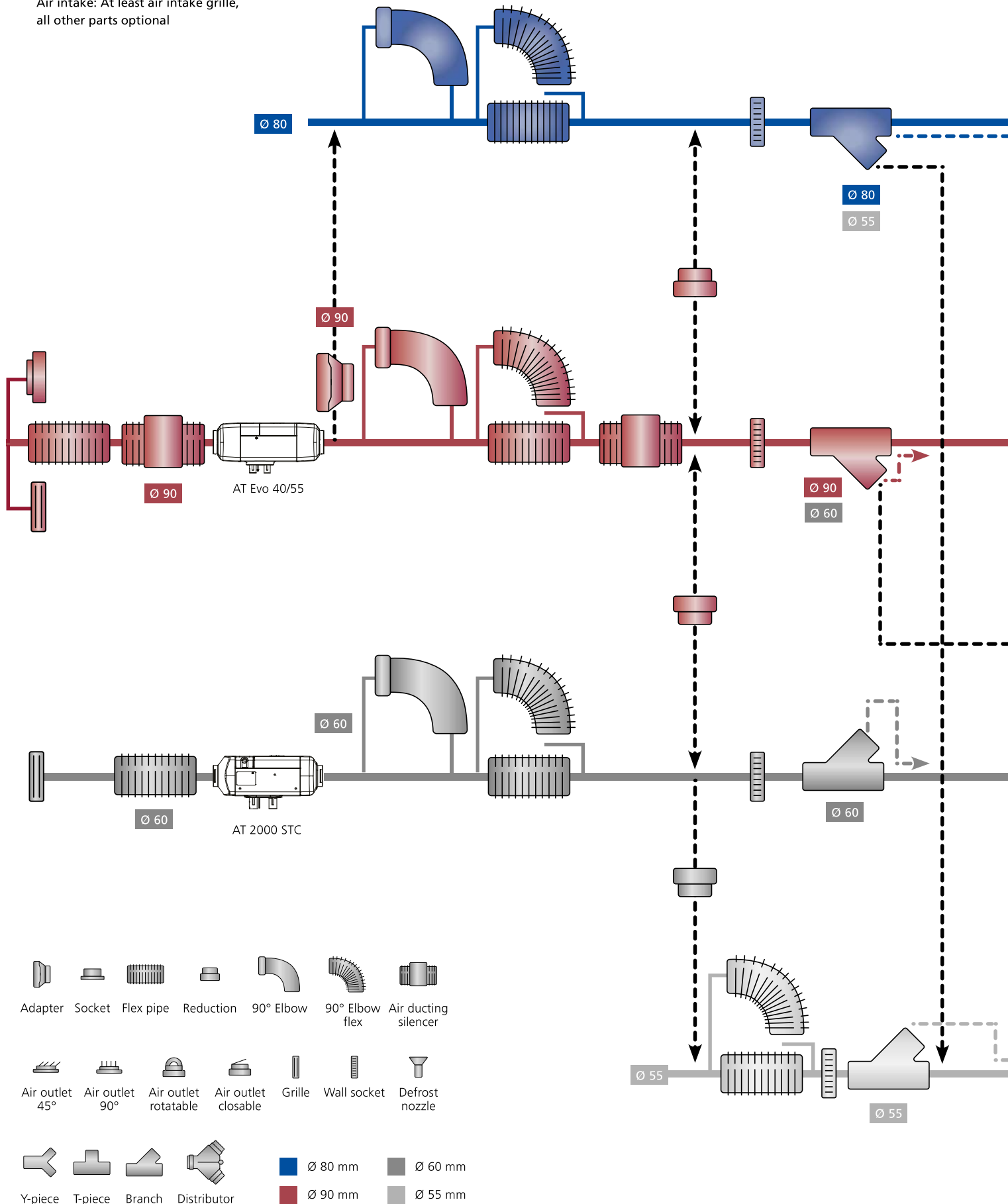
Air Flow Resistance Calculation

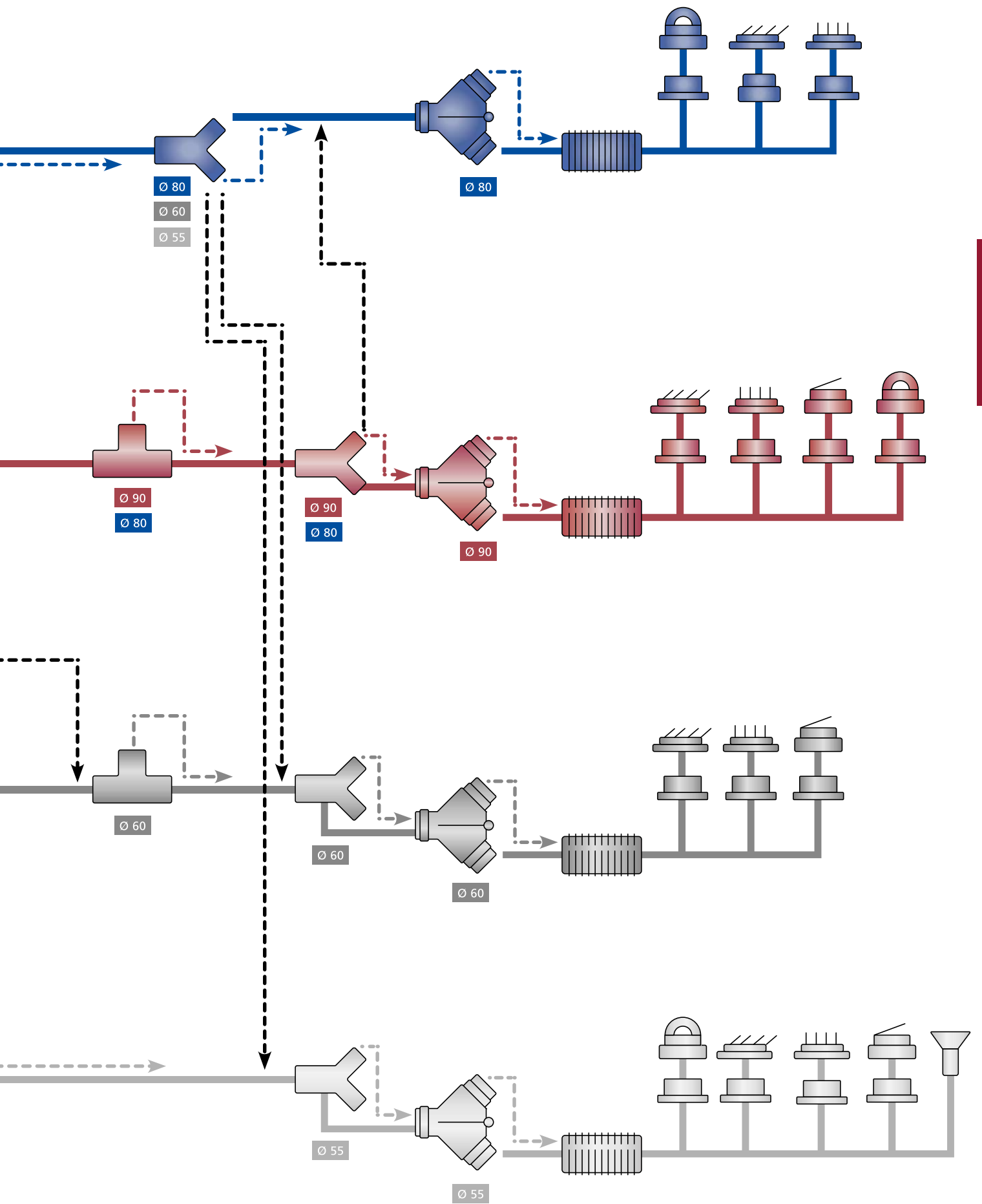
			Air Top 2000 STC: max. 325 resistance points			Air Top Evo 40: max. 550 resistance points Air Top Evo 55: max. 375 resistance points		
			55/60 mm inlet			80/90 mm inlet		
			Dim. in mm	Points	Id.	Dim. in mm	Points	Id.
Threaded T-piece 			60/60/60	8	1320476A	90/60/90	11	1320475A
Threaded T-piece 			60/60/60	36	1320476A	90/60/90	254	1320475A
Rotatable air outlet 			Ø 60/black	24	1322405A	-	-	-
Closeable air outlet 			Ø 55/black	64	1320812A	-	-	-
			Ø 60/ black	59	1320206A	-	-	-
			Ø 60/white	59	1320207A	Ø 90/white	50	1320713A
			Ø 60/grey	59	1320937A	Ø 90/black	50	1320355A
			Ø 60/brown	59	1320208A	Ø 90/grey	50	1320714A
Outlet 45° 			Ø 55/45°/black	142	107836	Ø 80/45°/black	136	107984
			Ø 60/45°/black	139	1320204A	Ø 90/45°/black/pivoted	134	1320956A
			Ø 60/45°/white	139	1320205A	Ø 90/45°/black	134	1320709A
			Ø 60/45°/grey	139	1320933A	Ø 90/45°/white	134	1320710A
			Ø 60/45°/brown	139	1320761A	Ø 90/45°/grey	134	1320354A
Outlet 90° 			Ø 55/90°/black	37	101625	-	-	-
			Ø 60/90°/black	35	1320934A	Ø 80/90°/black	35	1322710A
			Ø 60/90°/white	35	1320935A	Ø 90/90°/black	33	1320932A
			Ø 60/90°/grey	35	1320936A	Ø 90/90°/grey	33	1320712A
			Ø 60/90°/brown	35	1320762A	Ø 60/90°/white	33	1320711A
Wall socket 			55	10	1319417A	80	11	1319471A
			55	10	1320063A	90	12	1320924A
			60	10	1320923A	-	-	-
Wall socket with air outlet 			60	24	1322634A	-	-	-
Air intake grille 			60	139	1319269A	80	137	1319269A
				-	-	90	134	1319269A

Air ducting combination possibilities:



Air ducting: At least flex pipe & air outlet, all other parts optional.

Air intake: At least air intake grille, all other parts optional

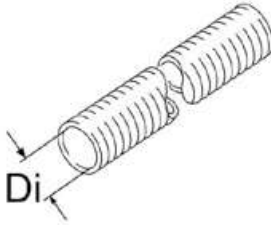
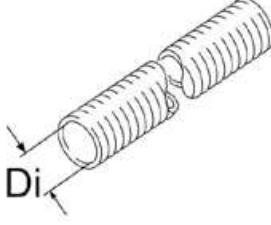




Hot Air System

		Air Top 2000 STC	Air Top Evo 40/55	Order number
	Flexible pipe, 55 mm, suitable only with adapter			
	Di = 55			
	L = 2,000, APK, black	■	■	1315889A
	L = 2,000, PAPK, grey	■	■	1321580B
	L = 10,000, APK, black	■	■	1322082A
	L = 10,000, PAK	■	■	1321701B
	L = 25,000, APK, black	■	■	1311891C
L = 25,000, PAPK, grey	■	■	1311896C	
	Flexible pipe, 60 mm, suitable for Air Top 2000 STC, for other heaters with adapter			
	Di = 60			
	L = 2,000, APK, black	■	■	1321574B
	L = 2,000, PAPK, grey	■	■	1321504A
	L = 5,000, APK, black	■	■	1321575C
	L = 10,000, APK, black	■	■	1322083C
	L = 10,000, PAK, black	■	■	1321692B
	L = 10,000, PAPK, grey	■	■	1321727C
	L = 20,000, PAK, black	■	■	1321697B
	L = 25,000, APK, black	■	■	1311892C
L = 25,000, PAPK, grey	■	■	1311898C	

Hot Air System

		Air Top 2000 STC	Air Top Evo 40/55	Order number
	Flexible pipe, 80 mm, suitable only with adapter			
	Di = 80			
	L = 1,000, AA, grey	■	■	1321531A
	L = 2,000, APK, black	■	■	1321576C
	L = 2,000, PAK, grey	■	■	1321582B
	L = 5,000, APK, black	■	■	1321577B
	L = 10,000, AA, grey	■	■	1321533A
	L = 10,000, APK, black	■	■	1321718C
	L = 10,000, PAK	■	■	1322147B
	L = 10,000, PAK, grey	■	■	1321729B
	L = 25,000, APK, black	■	■	1311893C
L = 25,000, PAK, grey	■	■	1311900C	
	Flexible pipe, 90 mm, suitable for Air Top Evo 40/55, for other heaters with adapter			
	Di = 90			
	L = 2,000, APK, black	■	■	1321578C
	L = 2,000, PAK, grey	■	■	1321506B
	L = 5,000, APK, black	■	■	1321579C
	L = 5,000, PAK, grey	■	■	1321508A
	L = 10,000, APK, black	■	■	1321719C
	L = 10,000, PAK, grey	■	■	1321731C
	L = 25,000, APK, black	■	■	1311894C
	L = 25,000, PAK, grey	■	■	1311902C


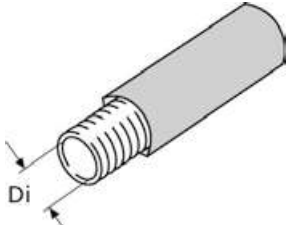
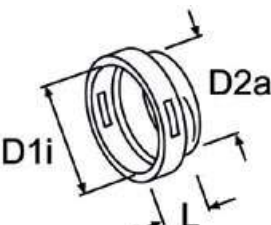
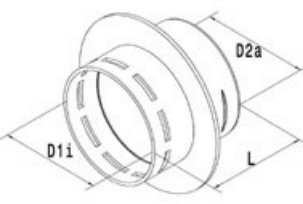
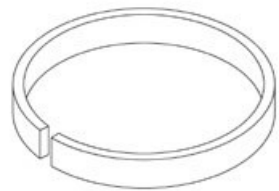
Hose Specification

APK: Aluminium, Paper, Plastic – black, with white Webasto logo

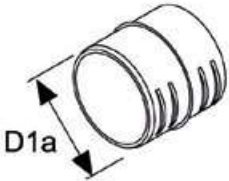

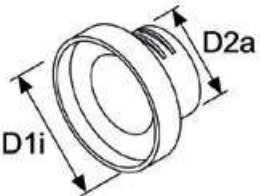
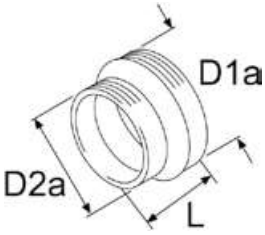
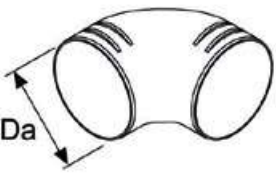
PAK: Paper, Aluminium, Plastic – black, with white Webasto logo

PAPK: Paper, Aluminium, Paper, Plastic – grey, with red and blue Webasto logo, extra strong 4 layer design


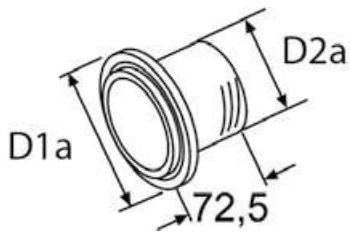
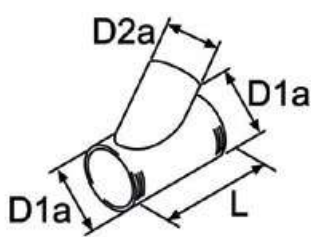
Hot Air System

		Air Top 2000 STC	Air Top Evo 40/55	Order number
	Elbow			
	Di = 80.5, Da = 79, L = 115, steel, corrosion-resistant, 90°	■	■	1319272A
	Insulated hose			
	L = 12,000, PAK			
	Di = 80	■	■	1321515A
	Di = 90	■	■	1321517A
	Adapter for heater connection			
	D1i = 90, D2a = 80, L = 40, plastic		■	1320186A
	Adapter for heater connection			
	D1i = 60, D2a = 75, L = 40, plastic	■		1321005A
	Adapter ring			
	Di = 55, Da = 60, aluminium	■	■	1320224A
	Di = 70, Da = 80, W = 17, plastic, for outlet 1319946A, black	■	■	1320040A

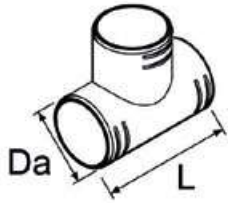
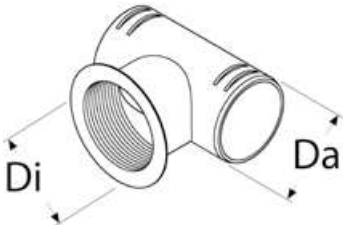
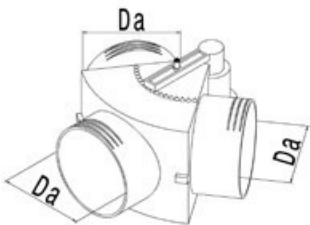
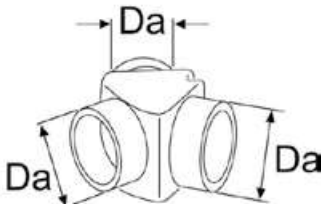
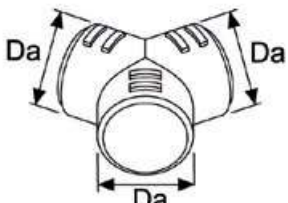
Hot Air System

		Air Top 2000 STC	Air Top Evo 40/55	Order number
	Double fitting			
	Plastic, black			
	D1a = 55, L = 55, for connecting flexible pipes	■	■	1319473A
	D1a = 60, L = 51, for connecting flexible pipes	■	■	1320469A
	D1a = 80, L = 75, for connecting flexible pipes	■	■	1319476A
	D1a = 90, L = 51, for connecting flexible pipes	■	■	1319869A
	End cap			
	Plastic, black			
	Da = 60	■	■	1320477A
	Da = 90	■	■	1319870A
	Extension adapter			
	D1i = 90, for connecting flexible pipes, in connection with union nut 1320468A, plastic, black			
	D2a = 60, L = 59	■	■	1320760A
	D2a = 80, L = 50	■	■	1320925A
	Reduction adapter			
	For connecting flexible pipes			
	D1a = 60, D2a = 55, L = 35, plastic, black	■	■	1320127A
	D1a = 80, D2a = 55, L = 82, plastic, black	■	■	1319477A
	D1a = 90, D2a = 80, L = 45, plastic, black	■	■	1320185A
	Elbow			
	Da = 90, plastic, black	■	■	1320706A

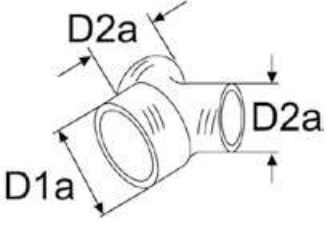
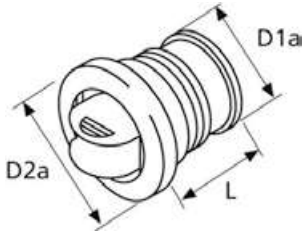
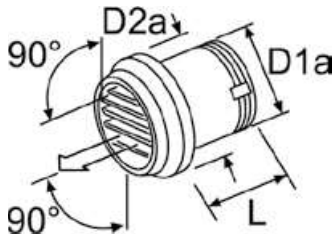


Hot Air System

		Air Top 2000 STC	Air Top Evo 40/55	Order number
	Hot air elbow 90° for heater connection Di = 60, Da = 60, plastic, black	■	■	1320124A
	Wall feed-through plastic, black D1a = 85, D2a = 55 D1a = 90, D2a = 60 D1a = 120, D2a = 90	■	■	1319417A 1320923A 1320924A
	Adapter wall socket L = 72.5, plastic, black D1a = 90, D2a = 55 D1a = 110, D2a = 80, can be combined with wall feed-through	■	■	1320063A 1319471A
	Union nut L = 60, plastic, black D1a = 60, in combination with 60 mm air outlet D1a = 90, in combination with 90 mm air outlet	■	■	1320922A 1320468A
	Junction fitting 45° D1a = 55, D2a = 55, L = 137, plastic, black D1a = 60, D2a = 60, L = 145, plastic, black D1a = 80, D2a = 55, L = 151, plastic, black D1a = 80, D2a = 80, L = 186, plastic, black D1a = 80, D2a = 80, L = 370, steel, corrosion-resistant D1a = 90, D2a = 60, L = 146, plastic, black D1a = 90, D2a = 60, L = 185, plastic, black	■	■	1321019A 1320472A 1319479A 1319478A 1319315A 1320707A 1321034A



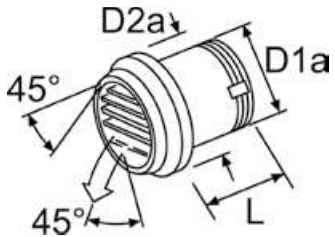
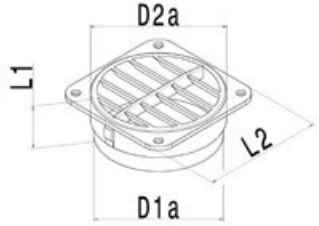
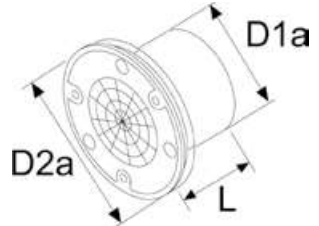
Hot Air System

		Air Top 2000 STC	Air Top Evo 40/55	Order number
	T-piece			
	L = 110, plastic, black			
	Da = 60	■	■	1320474A
	Da = 90	■	■	1320473A
	T-piece			
	Di = 60, black			
	Da = 60, L = 100, plastic, in combination with 60 mm air outlet, with thread	■	■	1320476A
	Da = 90, L = 140, plastic, in combination with 60 mm air outlet, with thread	■	■	1320475A
	Distributor Y-unit			
	Plastic, black			
	Da = 55, with remote control flap valve	■	■	1319224A
	Da = 60	■	■	1320352A
	Da = 80, with remote control flap valve	■	■	1319214A
	Da = 90	■	■	1320926A
	Distributor Y-unit			
	Plastic, black			
	Da = 55	■	■	1319416A
	Da = 80	■	■	1319212A
	Distributor Y-unit			
	Plastic, black			
	Da = 60	■	■	1320814A
	Da = 90	■	■	1320470A

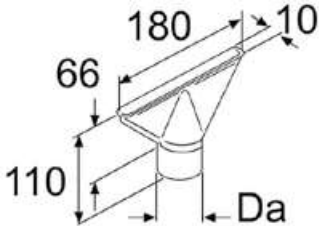

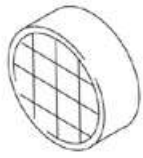
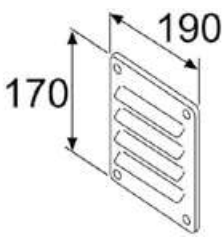
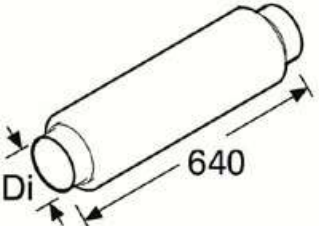
Hot Air System

	Air Top 2000 STC	Air Top Evo 40/55	Order number
	Air outlet 45° rotatable		
	Plastic, black		
	■	■	D1a = 80, D2a = 55 1320753A
	■	■	D1a = 80, D2a = 60 1320471A
	■	■	D1a = 90, D2a = 80 1320375A
	Air outlet		
	D2a = 100, L = 63, black, plastic, lockable, with wall feed through, use for secondary flow only		
	■	■	D1a = 55 1320812A
	■	■	D1a = 70 1319946A
	Air outlet		
	L = 65, plastic, insert grid, straight, rotating, 90°, black		
	■	■	D1a = 55, D2a = 87 101625
	■	■	D1a = 80, D2a = 110 1322710A
	Air outlet		
	Plastic, through flow with bushing, 45°		
	■	■	D1a = 60, D2a = 85, L = 31.5, black 1320204A
	■	■	D1a = 60, D2a = 85, white 1320205A
	■	■	D1a = 60, D2a = 85, brown 1320761A
	■	■	D1a = 60, D2a = 85, grey 1320933A
	■	■	D1a = 90, D2a = 115, grey 1320354A
	■	■	D1a = 90, D2a = 115, black 1320709A
■	■	D1a = 90, D2a = 115, white 1320710A	
	Air outlet		
	Lockable, with wall feed through		
	■	■	D1a = 60, D2a = 85, black, plastic 1320206A
	■	■	D1a = 60, D2a = 85, white, plastic 1320207A
	■	■	D1a = 60, D2a = 85, brown 1320208A
	■	■	D1a = 60, D2a = 85, grey, plastic 1320937A
	■	■	D1a = 90, D2a = 115, black, plastic 1320355A
	■	■	D1a = 90, D2a = 115, white, plastic 1320713A
■	■	D1a = 90, D2a = 115, grey, plastic 1320714A	

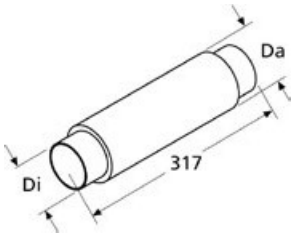

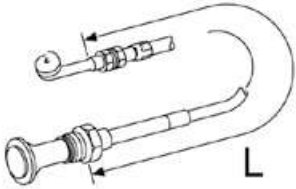
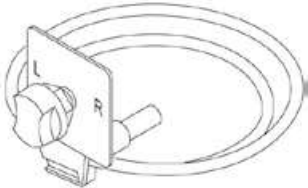
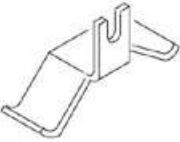
Hot Air System

		Air Top 2000 STC	Air Top Evo 40/55	Order number
	Air outlet			
	Plastic, 90°, with wall feed through			
	D1a = 60, D2a = 85, black	■	■	1320934A
	D1a = 60, D2a = 85, white	■	■	1320935A
	D1a = 60, D2a = 85, grey	■	■	1320936A
	D1a = 90, D2a = 115, white	■	■	1320711A
	D1a = 90, D2a = 115, grey	■	■	1320712A
	D1a = 60, D2a = 85, brown	■	■	1320762A
D1a = 90, D2a = 115, black	■	■	1320932A	
	Air outlet			
	D1a = 60, D2a = 92, black, plastic, rotatable, with ball-shape outlet, black	■	■	1322405A
	Air outlet			
	L = 65, plastic, rotatable, black			
	D1a = 55, D2a = 90, 45°	■	■	107836
D1a = 80, D2a = 110	■	■	107984	
	Air outlet			
	D1a = 90, D2a = 120, L1 = 65, L2 = 108, drilling diameter = 95 mm, plastic, through flow with bushing, 45°, black	■	■	1320956A
	Air outlet			
	D1a = 60, D2a = 97, L = 50, plastic, axiale flow, with wall feed through, black	■	■	1322634A

Hot Air System

		Air Top 2000 STC	Air Top Evo 40/55	Order number
	Demist nozzle Da = 55, steel, corrosion-resistant	■	■	1319470A
	Protective screen For intake and outlet openings of heater, plastic, black Di = 60 Di = 90	■	■	1320163A 1310581A
	Protective screen Di = 60, for flex tube intake, rubber	■		1320173A
	Louvre plate L = 190, H = 170, aluminium, for air intake only	■	■	1319269A
	Air ducting silencer Di = 90, L = 640, aluminium/plastic	■	■	1321734A

Hot Air System

		Air Top 2000 STC	Air Top Evo 40/55	Order number
	Air ducting silencer Di = 90, Da = 122, L = 317, plastic, black	■	■	1320996A
	Console 10 pieces	■	■	1321044A
	Control cable With grip and outer sleeve, for Y-pieces L = 850 L = 1,500	■	■	1320785A 1320786A
	Control device for distributor L = 2,000, for Y-pieces, with control butterfly valve	■	■	1319868A
	Clamp For bowden cable 1320785A and 1320786A	■	■	1319688A