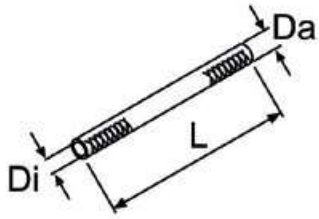
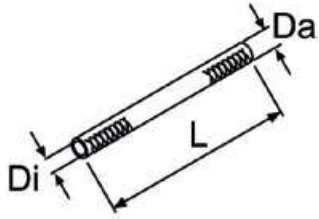
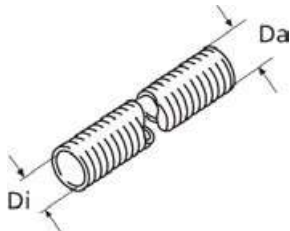

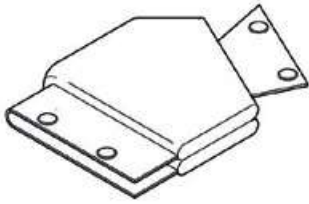
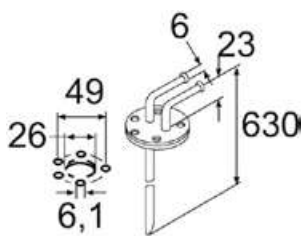
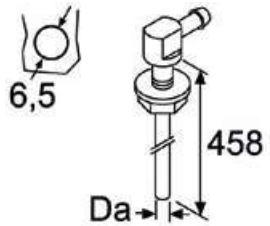
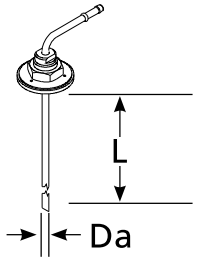


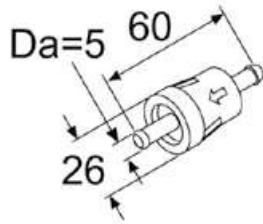
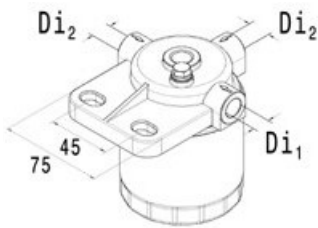
Fuel System

		Air Top 2000 STC	Air Top Evo 40/55	Thermo Top Evo	Thermo Pro 50 Eco	Thermo Pro 90	Thermo Top Pro 120/150	Order number
	Connecting hose							
	Di = 5, Da = 12, L = 50, rubber	■	■	■	■	■		1320857A
	Fuel hose kit ISO7840, USCG							
	Di = 3.5, ISO7840, USCG, black							
	L = 1,000	■	■	■	■	■		3317180A
	L = 3,300	■	■	■	■	■		3317046A
	L = 6,000	■	■	■	■	■		3317047A
L = 10,000	■	■	■	■	■		3317048A	
	Flexible heat protection hose							
	Di = 14.5, Da = 16.5, GA-A							
	L = 5,000	■	■	■	■	■		1321585B
L = 20,000	■	■	■	■	■		1321584B	
	Fuel line kit							
	Da = 5, L = 5,000							
	Di = 1.5, stainless steel	■	■	■	■	■		1320860A
	Fuel line kit with connecting hoses, screws and clips, stainless steel	■	■	■	■	■		66958B
	Mini jacket fuel pump protector							
	Protection device for fuel pumps with mufflers, required by ISO 7840 if the fuel system is installed in engine rooms	■	■	■	■	■		1319522A

Fuel System

	Air Top 2000 STC	Air Top Evo 40/55	Thermo Top Evo	Thermo Pro 50 Eco	Thermo Pro 90	Thermo Top Pro 120/150	Order number
						■	1322830D
	■	■	■	■	■		1322632A
	■	■	■	■	■		1320399A
						■	1319372A

Fuel System



	Air Top 2000 STC	Air Top Evo 40/55	Thermo Top Evo	Thermo Pro 50 Eco	Thermo Pro 90	Thermo Top Pro 120/150	Order number
Fuel filter Da = 76, H = 108, filter holder with interchangeable filter, KC 20						■	9036520A
Fuel filter kit Da = 5, L = 60, with hose clips and connecting hoses, plastic, transparent	■	■	■	■	■		1319466A

Please refer to our separate heating product catalog for our full range of accessories.