

Water Heaters

Product Overview



Thermo Top Evo
Thermo Pro 50 Eco

See page 30 ▶



Thermo Pro 90

See page 32 ▶



Thermo Top Pro 120/150

See page 34 ▶

Water Heaters

Product Overview

	Part no.		EC approval mark	Heat output		Fuel, Fuel consumption	Rated voltage
	12 V Diesel	24 V Diesel		part load	full load		
Thermo Top Evo Marine	9042322A	–	E1 00 0258 (ECE R122) E1 04 5627 (ECE R10)	1.8 kW 6,100 BTU/h	5.0 kW 17,100 BTU/h	Diesel, 0.22–0.62 l/h Diesel, 0.06–0.16 gal/h	12 V
Thermo Pro 50 Eco Marine	–	9028080E	E1 00 0471 (ECE R122) E1 06 7609 (ECE R10)	2.5 kW 8,500 BTU/h	5.0 kW 17,100 BTU/h	Diesel, 0.30–0.60 l/h Diesel, 0.08–0.16 gal/h	24 V
Thermo Pro 90 Marine	9029940C	9029941C	E1 00 0320 (ECE R122) E1 04 6196 (ECE R10)	1.8–7.6 kW 6,100–26,000 BTU/h	9.1 kW 31,000 BTU/h	Diesel 0.18–1.08/1.3 l/h Diesel 0.05–0.24/0.34 gal/h	12 V, 24 V
Thermo Pro 90 Chiller	9029942C	9029943C	E1 00 0320 (ECE R122) E1 04 6196 (ECE R10)	1.8–7.6 kW 6,100–26,000 BTU/h	9.1 kW 31,000 BTU/h	Diesel 0.18–1.08/1.3 l/h Diesel 0.05–0.24/0.34 gal/h	12 V, 24 V
Thermo Top Pro 120	9035585A	9035584A	E1 00 0480, E1 00 0481 (ECE R122) E1 05 7735 (ECE R10)	12.0 kW 40,950 BTU/h		Diesel, 1.6 l/h Diesel, 0.42 gal/h	12 V, 24 V
Thermo Top Pro 120 Chiller	–	9042807A	E1 00 0480, E1 00 0481 (ECE R122) E1 05 7735 (ECE R10)	12.0 kW 40,950 BTU/h		Diesel, 1.6 l/h Diesel, 0.42 gal/h	24 V
Thermo Top Pro 150	9035583A	9035582A	E1 00 0480, E1 00 0481 (ECE R122) E1 05 7735 (ECE R10)	15.0 kW 51,180 BTU/h		Diesel, 1.7 l/h Diesel, 0.45 gal/h	12 V, 24 V



Thermo Top Evo Marine



Thermo Pro 90 Marine

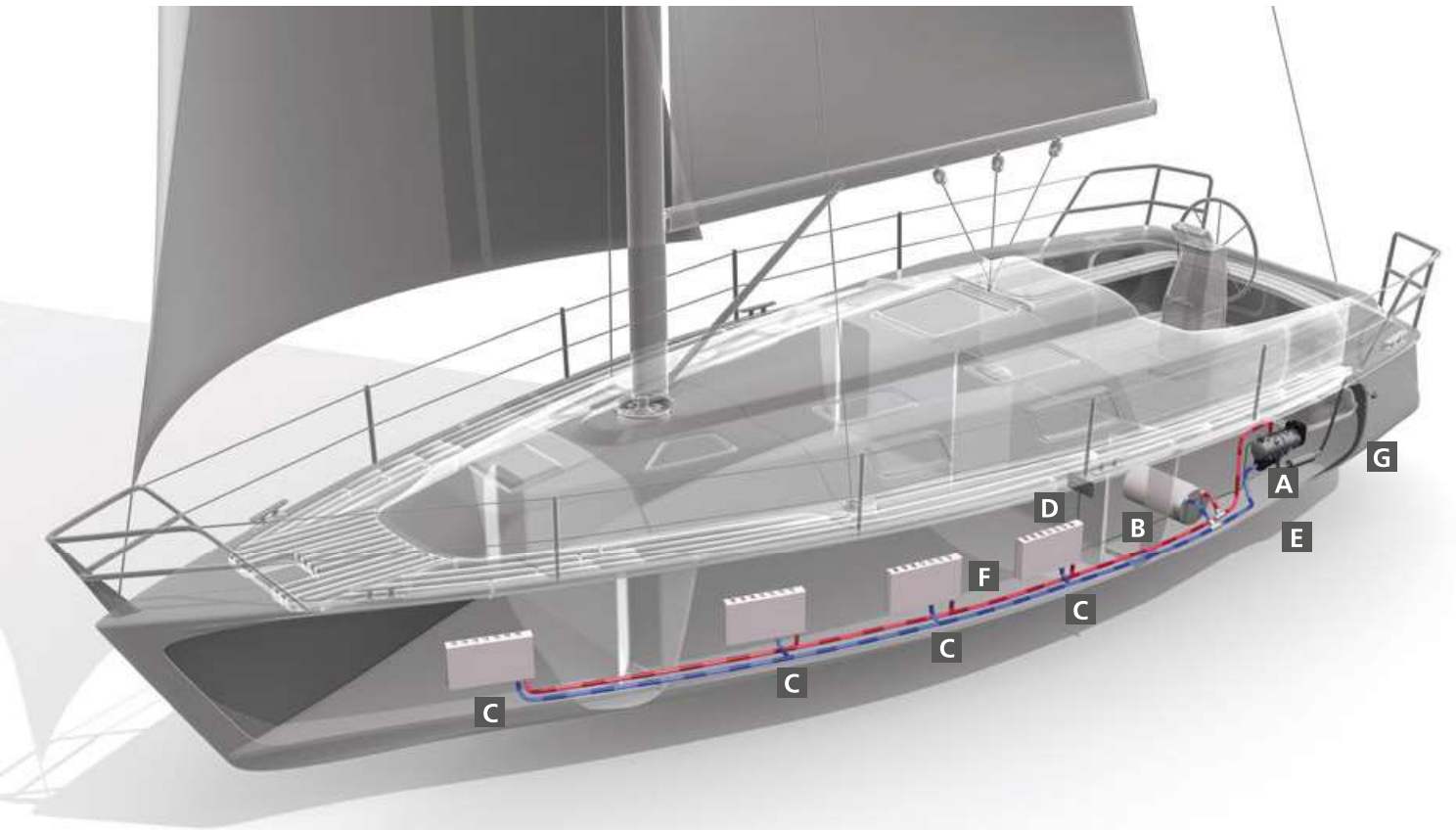


Thermo Top Pro 120/150

	Rated power consumption		Flow rate of coolant pumps	Dimensions heater (L x W x H)	Dimensions control unit with mounting (L x W x H)	Weight heater incl. fuel pump
	part load	full load				
	10 W 0.8 amps	33 W 2.7 amps	500 l/h against 0.14 bar 2.2 gal/min	218 x 91 x 147 mm 8.6 x 3.6 x 5.8 inch	68 x 48 x 15 mm 2.7 x 1.9 x 0.6 inch	2.1 kg 4.6 lbs
	28 W 1.2 amps	46 W 1.9 amps	500 l/h against 0.14 bar 2.2 gal/min	218 x 91 x 144 mm 8.6 x 3.6 x 5.7 inch	–	2.2 kg 4.9 lbs
	20 – 83 W 3.0 – 6.9 amps at 12 V 1.5 – 3.5 amps at 24 V	90 W 7.5 amps at 12 V 3.8 amps at 24 V	700 l/h against 0.3 bar 3.1 gal/min	385 x 131 x 232 mm 15.2 x 5.2 x 9.1 inch	134 x 53 x 90 mm	5.3 kg 11.7 lbs
	20 – 83 W 3.0 – 6.9 amps at 12 V 1.5 – 3.5 amps at 24 V	90 W 7.5 amps at 12 V 3.8 amps at 24 V	–	385 x 131 x 219 mm 15.2 x 5.2 x 8.6 inch	134 x 53 x 90 mm	4.9 kg 10.8 lbs
	80 W 6.7 amps at 12 V 3.3 amps at 24 V		1,500 l/h against 0.56 bar 6.6 gal/min	470 x 200 x 200 mm 18.5 x 7.9 x 7.9 inch	–	11.7 kg 25.7 lbs
	80 W 3.3 amps at 24 V		–	470 x 200 x 200 mm 18.5 x 7.9 x 7.9 inch	–	11.7 kg 25.7 lbs
	100 W 8.3 amps at 12 V 4.2 amps at 24 V		1,500 l/h against 0.56 bar 6.6 gal/min	470 x 200 x 200 mm 18.5 x 7.9 x 7.9 inch	–	11.7 kg 25.7 lbs

Water Heaters

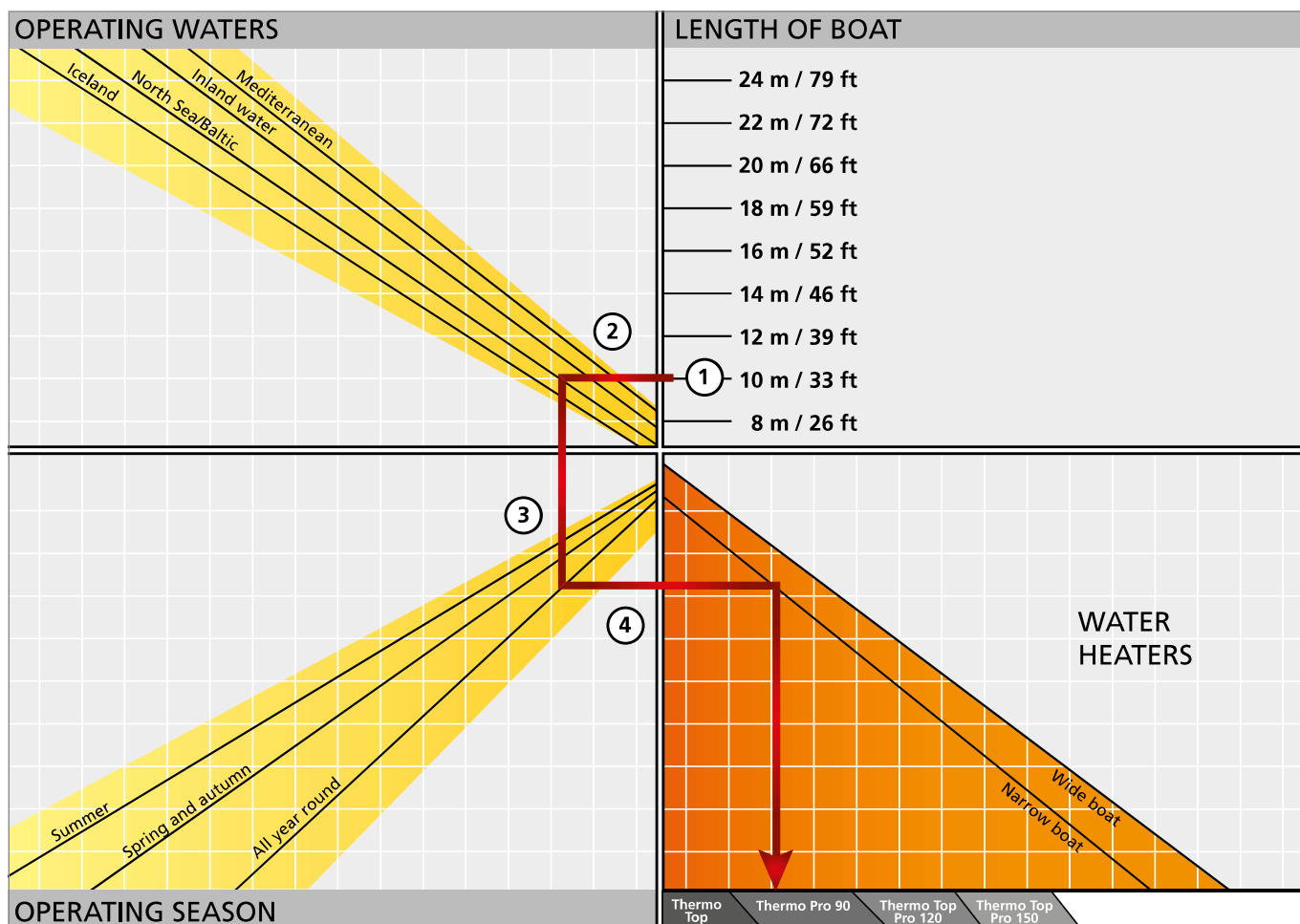
Application Concept



- A** Space-saving and inconspicuous installation in the engine room
- B** Boiler for heating hot water – for extra comfort
- C** One radiator for each cabin allows an individual temperature control
- D** Controls – simple and logical to use
- E** Coolant pump
- F** Fresh water tank
- G** Stainless steel exhaust

Water Heaters

Selection Tool



What's the Best Water Heating System for My Boat?

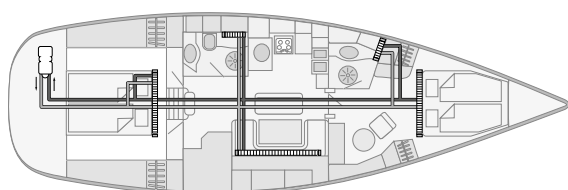
1. Select the length corresponding to your boat.
2. From there, trace a line to the left until you come to the line corresponding to the waters in which you plan to operate.
3. From there, trace a line vertically downwards until you come to the line corresponding to the season in which you plan to operate.
4. From there, trace a line to the right: Select the line corresponding to your type of boat in the lower section and then trace a line vertically downwards – that's the recommended system.

Water Heaters

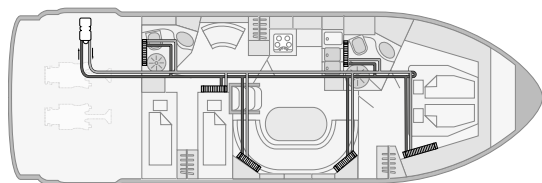
Thermo Top Evo/Thermo Pro 50 Eco

Thermo Top water heaters

This compact 5 kW unit is ideal for the majority of marine applications. Compact design, variable temperature control, service friendly technology and low noise levels.



The Thermo Top Evo is placed in the locker compartment of the boat. Radiators are used to heat up the boat, because electrical autonomy in this size of boat is often very important and radiators do not consume electricity of the battery.



The Thermo Top Evo in the engine compartment is able to heat the entire boat. Each cabin has individually sized convectors to match the heating requirements.

The advantages of water heaters:

- Even distribution of warmth by means of radiators
- Hot water for the shower and galley
- Space-saving installation
- Excellent possibilities for combining with Webasto BlueCool air-conditioning systems
- Separate temperature control in every cabin
- Low fuel consumption
- Preheating of the engine possible to avoid cold starts
- Robust aluminum casing, resistant to high temperature or salt

What is the new generation about?

- Stepless heating power adjustment between 1.8 and 5 kW
- Less start-stops
- Exhaust temperature control for optimized environmental conditions
- Mainswitch with blinking code (analog control)

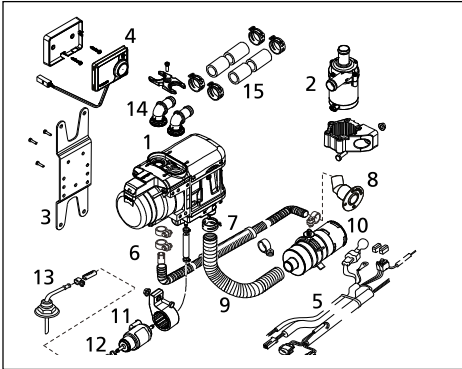
Technical specifications

	Thermo Top Evo	Thermo Pro 50 Eco
EC approval mark ECE R122 (Heating)	E1 00 0258	E1 00 0471
EC approval mark ECE R10 (EMC)	E1 04 5627	E1 06 7609
Heating power (kW)	5.0	5.0
Heating power (BTU/h)	17,100	17,100
Fuel consumption (l/h)	0.22 – 0.62	0.3 – 0.6
Fuel consumption (gal/h)	0.06 – 0.16	0.08 – 0.16
Fuels*	Diesel DIN EN 590	Diesel DIN EN 590
Rated voltage (V)	12	24
Rated power consumption (W)	10 – 33	28 – 46
Rated power consumption (amps)	2.7 – 3.5	1.2 – 1.9
Flow rate of coolant pump (against 0.14 bar) (l/h)	500	500
Flow rate of coolant pump (against 0.14 bar) (gal/min)	2.2	2.2
Flow rate of coolant pump (against 0.10 bar) (l/h)	–	900
Flow rate of coolant pump (against 0.10 bar) (gal/min)	–	4
Dimensions L x W x H (mm)	218 x 91 x 147	218 x 91 x 144
Dimensions L x W x H (inch)	8.6 x 3.6 x 5.8	8.6 x 3.6 x 5.7
Weight (kg)	2.1	2.2
Weight (lbs)	4.6	4.9

* Information about further fuels on request.



Scopes of delivery



Item	SOD	Description
1	■	Heater
2	■	Coolant pump U4847 with fixation
3	■	Heater bracket
4	■	MultiControl with bracket
5	■	Wiring harness
6	■	Exhaust reducer
7	■	Exhaust silencer
8	■	Exhaust through hull
9	■	Combustion air pipe
10	■	Air intake silencer
11	■	Fuel pump DP42.4 with fixation
12	■	Fuel hose
13	■	Tank extracting device
14	■	Coolant connection piece
15	■	Coolant hose
	■	Mounting parts

1

Order number

9042322A

Thermo Top Evo Marine Classic 12 V Diesel

9028080E

Thermo Pro 50 Eco Marine 24 V Diesel

2

Water system

For the distribution of heat in your boat you may need extra hoses, valves, expansion tank, convectors, air handlers etc. Please compose your water system individually.

3

Fuel supply

For the installation of the heater in the engine compartment the fuel supply system has to be fire-resistant according to EN ISO 7840. Please order the adequate components additionally (fuel lines, fuel supply kit, rubber hose, fuel pump protection).

4

Exhaust system

Depending on the installation position coolant pump and length of the exhaust pipe you may need a condensation water drain and an exhaust pipe insulation additionally.

5

Accessories (optional)

For extension of your heater system you find comfort control elements as well as other installation and system components in the accessories section.